



INSTALL INSTRUCTIONS FOR CONSOLIDATED COIL/HAIL GUARDS FOR LENNOX (CAT# 37A56)

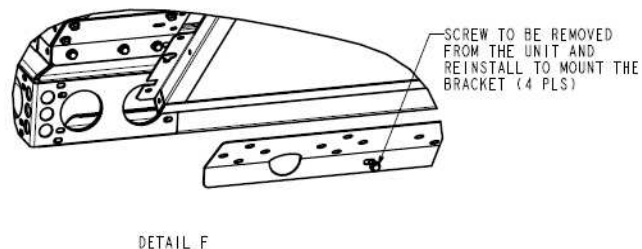
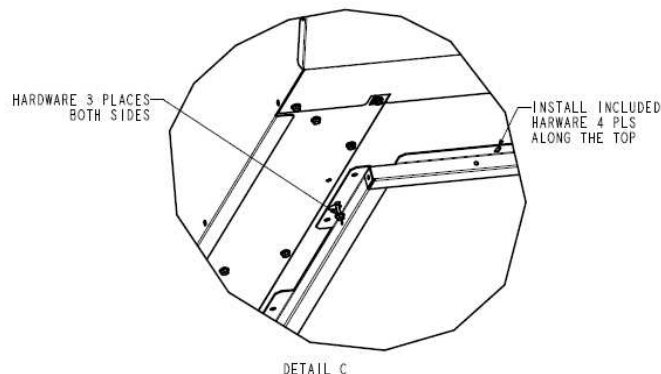
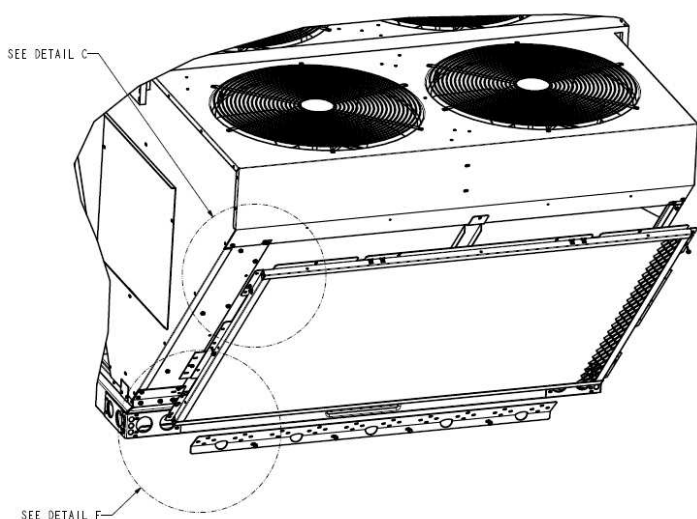
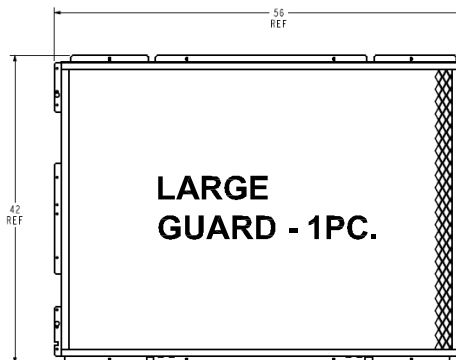
CAUTION

WHEN INSTALLING COIL GUARD BE SURE
NOT TO PUNCTURE CONDENSER COIL

1. THE LCG37A56 COIL GUARDS ARE DESIGNED TO PROTECT THE CONDENSOR COIL OF THE HVAC UNIT. THE FOLLOWING ARE INCLUDED:-

SHIPPING AND PACKING LIST

- 1- COIL GUARD
- 1- BASE RETAINER BRACKET
- 1- HARDWARE BAG W/
 - 1-INSTRUCTIONS
 - 10-#10-1/2" SCREWS



INSTALLATION

1. DISCONNECT ALL POWER SOURCES TO THE UNIT.
2. REMOVE THE 4 BOTTOM SCREWS OUT OF THE UNIT BASE-PAN (SEE ABOVE ILLUSTRATION FOR SCREW LOCATION). LOCATE THE BASE RETAINER BRACKET AND ALIGN CLEARANCE HOLES WITH BASE PAN AND RE-INSTALL SCREWS(4) TO SECURE.
3. SLIDE THE BOTTOM FLANGE OF COIL GUARD BEHIND THE BASE RETAINER TO HOLD THE BOTTOM OF GUARD IN PLACE.
4. ALIGN CLEARANCE HOLES(3) ON THE LEFT AND RIGHT SIDE OF THE GUARD WITH ENGAGING HOLES THAT ARE LOCATED ON THE COIL SUPPORT. USE ONLY 1/2" SCREWS PROVIDED. REPEAT THIS STEP FOR THE RIGHT SIDE OF THE COIL GUARD.
5. ALIGN HOLES(4) ON THE FRONT OF THE CONDENSER PANEL. USE ONLY 1/2" SCREWS PROVIDED.

NOTE:- BE CAREFUL NOT TO DAMAGE THE COIL WHILE INSTALLING THE GUARD. THE SELF DRILLING SCREWS PROVIDED CAN BE USED ON ALL MATCHING HOLES IN THE UNIT.

5000421 LCG37A56

DEC. 13 / 24